

Device connector, rear mounting - SACC-DSI-MS-17CON-M12 SCO - 1559974

Please be informed that the data shown in this PDF Document is generated from our Online Catalog. Please find the complete data in the user's documentation. Our General Terms of Use for Downloads are valid (<http://phoenixcontact.com/download>)




Sensor/actuator flush-type connector, plug, 17-pos., M12 SPEEDCON, A-coded, rear/screw mounting with M12 thread, with straight solder pins

Your advantages

- ✓ Easy PCB assembly: one-piece connectors for wave soldering
- ✓ All standard pin assignments and codings for signal, data, and power transmission with a uniform design-in design
- ✓ SPEEDCON fast locking system reduces cabling times



Key Commercial Data

| | |
|--------------------------------------|---------------------------------------------------------------------------------------------------------|
| Packing unit | 1 pc |
| Minimum order quantity | 20 pc |
| GTIN |  4 046356 322683 |
| GTIN | 4046356322683 |
| Weight per Piece (excluding packing) | 0.008 g |
| Custom tariff number | 85366990 |
| Country of origin | Germany |

Technical data

Dimensions

| | |
|--------------------------|------|
| Length of the solder pin | 6 mm |
|--------------------------|------|

Ambient conditions

| | |
|---------------------------------|-------------------------------------------------|
| Ambient temperature (operation) | -25 °C ... 85 °C (Plug / socket) |
| | -40 °C ... 85 °C (without mechanical actuation) |

Device connector, rear mounting - SACC-DSI-MS-17CON-M12 SCO - 1559974

Technical data

Ambient conditions

| | |
|----------------------|----------------------------------|
| | -25 °C ... 85 °C (Plug / socket) |
| Degree of protection | IP67 (When plugged in) |
| | IP65 (When plugged in) |

General

| | |
|-----------------------------|----------------------------------------------------------------------------------------------------------------------------------------------------------------------------------------------------------------------------------------------------------------------------------------------------------------------------------------------------|
| Note | The electrical and mechanical data specified assume that the connector pair is correctly locked and mounted. If the connector is unlocked and if there is a danger of contamination, the connector must be sealed using a protective cap > IP54. Influences arising from litz wires, cables or PCB assembly must also be taken into consideration. |
| Rated current at 40°C | 1.5 A |
| Rated voltage | 30 V |
| Rated surge voltage | 0.8 kV |
| Number of positions | 17 |
| Insulation resistance | ≥ 100 MΩ |
| Coding | A - standard |
| Standards/regulations | M12 connector IEC 61076-2-101 |
| Status display | No |
| Overvoltage category | II |
| Degree of pollution | 3 |
| Connection method | Solder pins |
| Insertion/withdrawal cycles | > 100 |
| Torque | 3 Nm ... 4 Nm (Installation-side) |
| Mounting type | Rear mounting M12 x 1 With flat nut |
| Thread type | M12 x 1 |

Material

| | |
|----------------------------------------|------------------------------|
| Flammability rating according to UL 94 | V0 |
| Contact material | CuZn |
| Contact surface material | Au |
| Contact carrier material | PA 6.6 |
| Material, knurls | Zinc die-cast, nickel-plated |
| Sealing material | NBR |

Cable

| | |
|---------------------------------|-------------------------------------------------|
| Standards/specifications | M12 connector IEC 61076-2-101 |
| Ambient temperature (operation) | -40 °C ... 85 °C (cable, fixed installation) |
| | -25 °C ... 85 °C (cable, flexible installation) |

Standards and Regulations

Device connector, rear mounting - SACC-DSI-MS-17CON-M12 SCO - 1559974

Technical data

Standards and Regulations

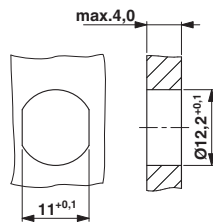
| | |
|----------------------------------------|-------------------------------|
| Standards/specifications | M12 connector IEC 61076-2-101 |
| Flammability rating according to UL 94 | V0 |

Environmental Product Compliance

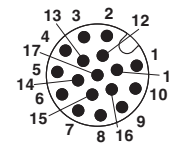
| | |
|------------|-----------------------------------------------------------------------------------------------------|
| REACH SVHC | Lead 7439-92-1 |
| China RoHS | Environmentally Friendly Use Period = 50 years |
| | For details about hazardous substances go to tab "Downloads", Category "Manufacturer's declaration" |

Drawings

Dimensional drawing



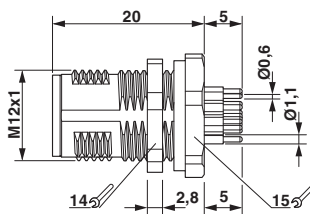
Schematic diagram



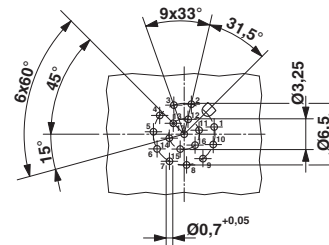
Pin assignment M12 male connector, 17-pos., male side view

Mounting cutout

Dimensional drawing



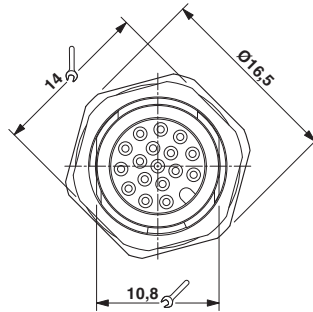
Drilling diagram



M12 flush-type connector

Device connector, rear mounting - SACC-DSI-MS-17CON-M12 SCO - 1559974

Dimensional drawing



Front view of M12 flush-type connector

Classifications

eCl@ss

| | |
|---------------|----------|
| eCl@ss 10.0.1 | 27440102 |
| eCl@ss 11.0 | 27440102 |
| eCl@ss 4.0 | 27140800 |
| eCl@ss 4.1 | 27140800 |
| eCl@ss 5.0 | 27143400 |
| eCl@ss 5.1 | 27143400 |
| eCl@ss 6.0 | 27279200 |
| eCl@ss 7.0 | 27440103 |
| eCl@ss 9.0 | 27440102 |

ETIM

| | |
|----------|----------|
| ETIM 3.0 | EC002061 |
| ETIM 4.0 | EC002062 |
| ETIM 6.0 | EC002061 |

UNSPSC

| | |
|---------------|----------|
| UNSPSC 6.01 | 31251501 |
| UNSPSC 7.0901 | 31251501 |
| UNSPSC 11 | 31251501 |
| UNSPSC 12.01 | 31251501 |
| UNSPSC 13.2 | 39121413 |
| UNSPSC 18.0 | 39121413 |
| UNSPSC 19.0 | 39121413 |
| UNSPSC 20.0 | 39121413 |

Device connector, rear mounting - SACC-DSI-MS-17CON-M12 SCO - 1559974

Classifications

UNSPSC

| | |
|-------------|----------|
| UNSPSC 21.0 | 39121413 |
|-------------|----------|

Approvals

Approvals

Approvals

EAC / cULus Recognized

Ex Approvals

Approval details

| | | |
|-----|--|---------|
| EAC | | B.01687 |
|-----|--|---------|

| | | | |
|------------------|--|-------------------------------------------------------------------------------------------------------------------------------------------------------|------------------|
| cULus Recognized | | http://database.ul.com/cgi-bin/XYV/template/LISEXT/1FRAME/index.htm | E221474-20140616 |
|------------------|--|-------------------------------------------------------------------------------------------------------------------------------------------------------|------------------|

| | |
|----------------------------|-------|
| Nominal voltage UN | 30 V |
| Nominal current IN | 1.5 A |
| mm ² /AWG/kcmil | 26 |

Accessories

Accessories

Protective cap

Sealing cap - PROT-M12 FS - 1560251



M12 sealing cap for unoccupied M12 plugs of the sensor/actuator cable, flush-type plugs and I/O devices in the field

Device connector, rear mounting - SACC-DSI-MS-17CON-M12 SCO - 1559974

Accessories

Sealing cap - PROT-M12 FS-M - 1430488



M12 metal sealing cap for unoccupied M12 plugs of the sensor/actuator cable, flush-type plugs and I/O devices in the field